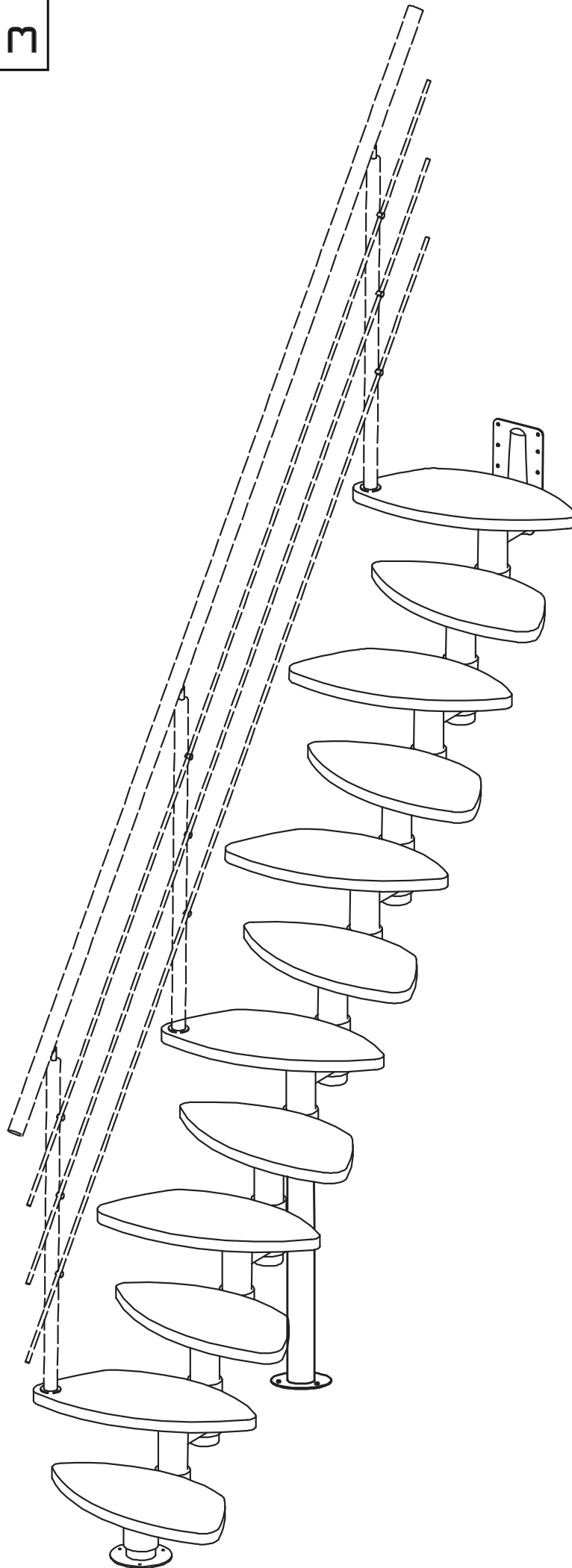




Tokay



Tokay

Assembling information

riser in en mm

maximum = 230

minimum = 170

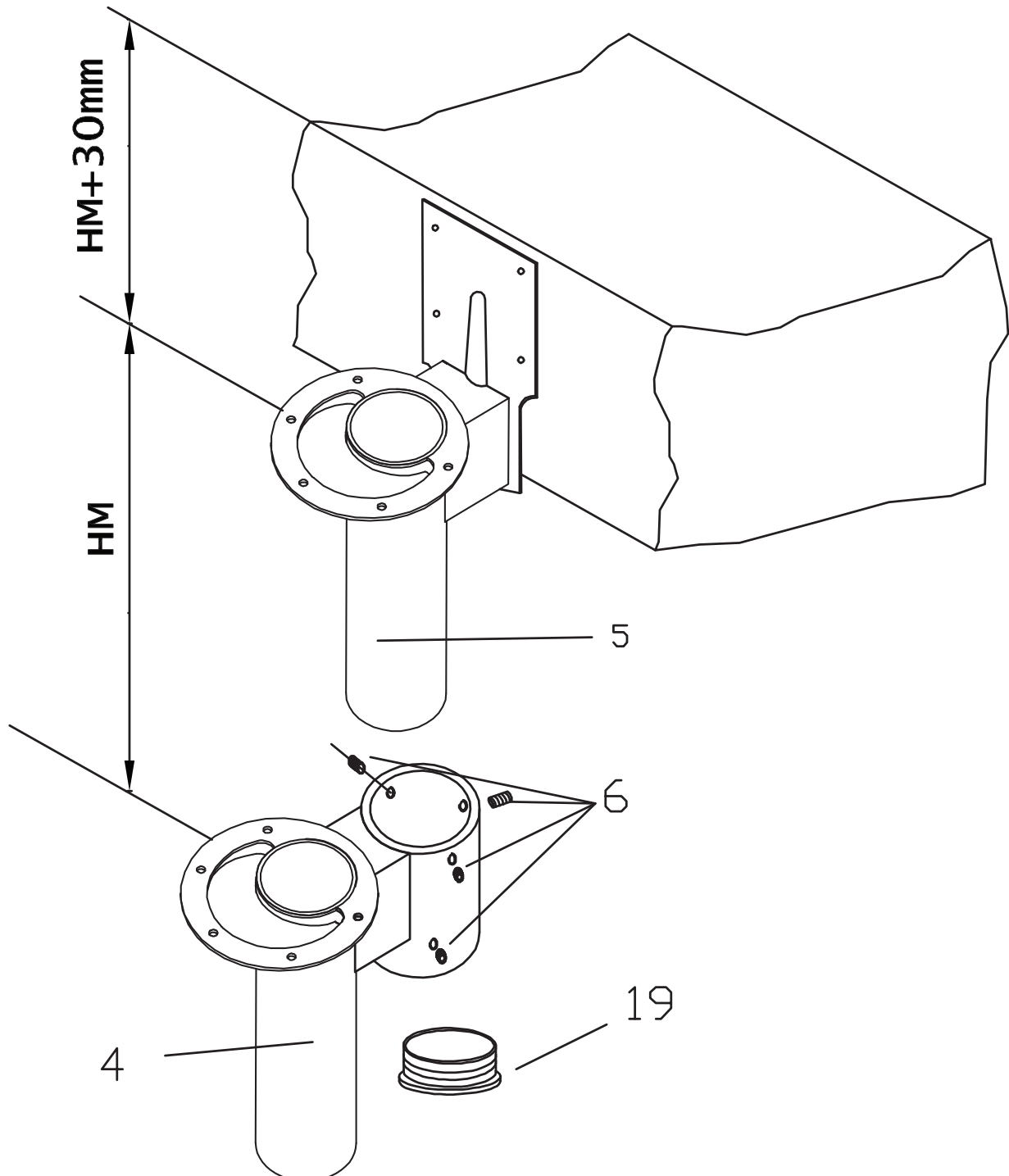
Number of risers	Number of steps	height mm			
		minimum	step heigh	maximum	step heigh
13	12	2210	170	2990	230
12	11	2040	170	2760	230
11	10	1870	170	2530	230
10	9	1700	170	2300	230
9	8	1530	170	2070	230
8	7	1360	170	1840	230
7	6	1190	170	1610	230

Measure your height total floor finished floor finishes

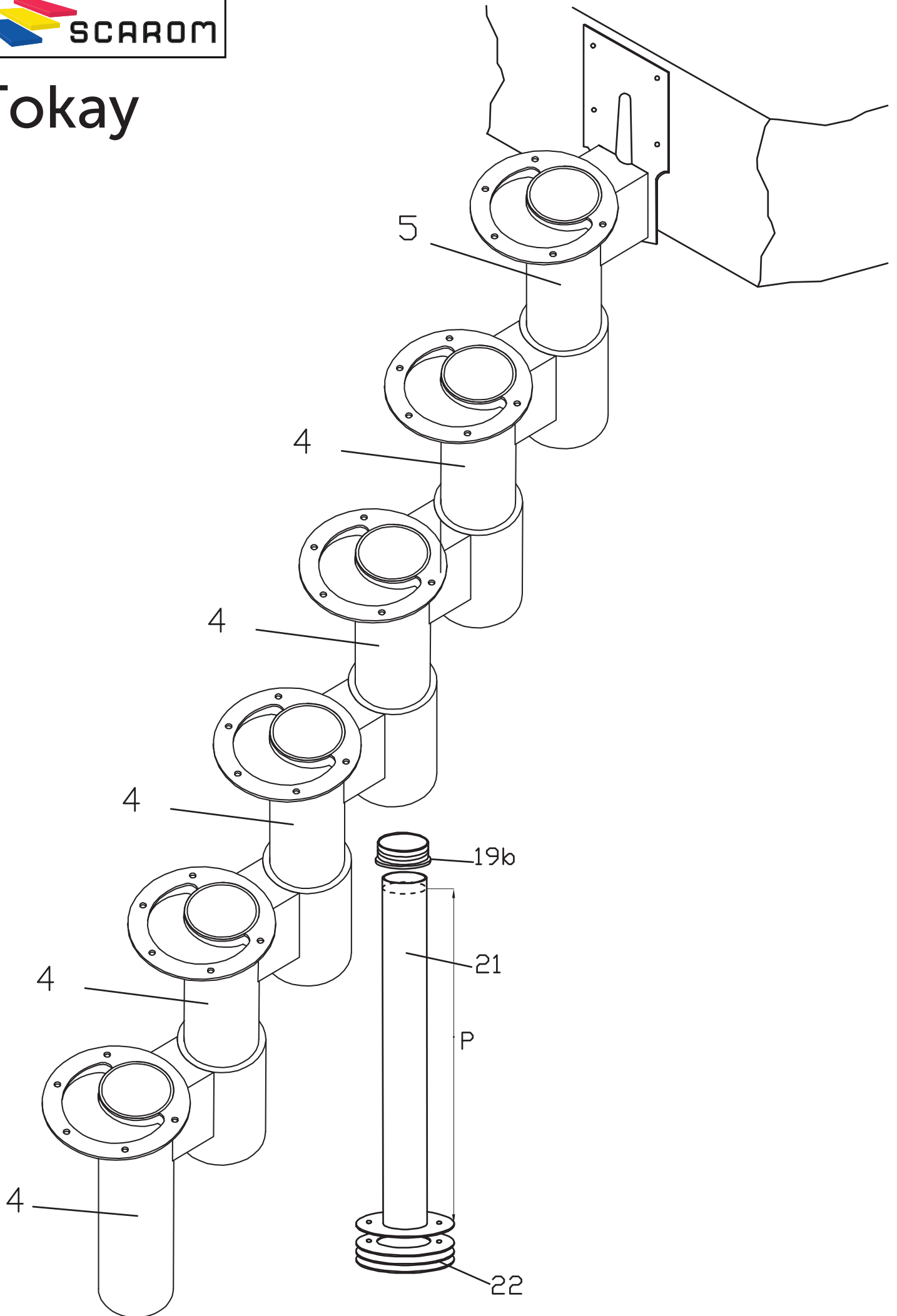
example = 2630 mm

divide by 13 heights

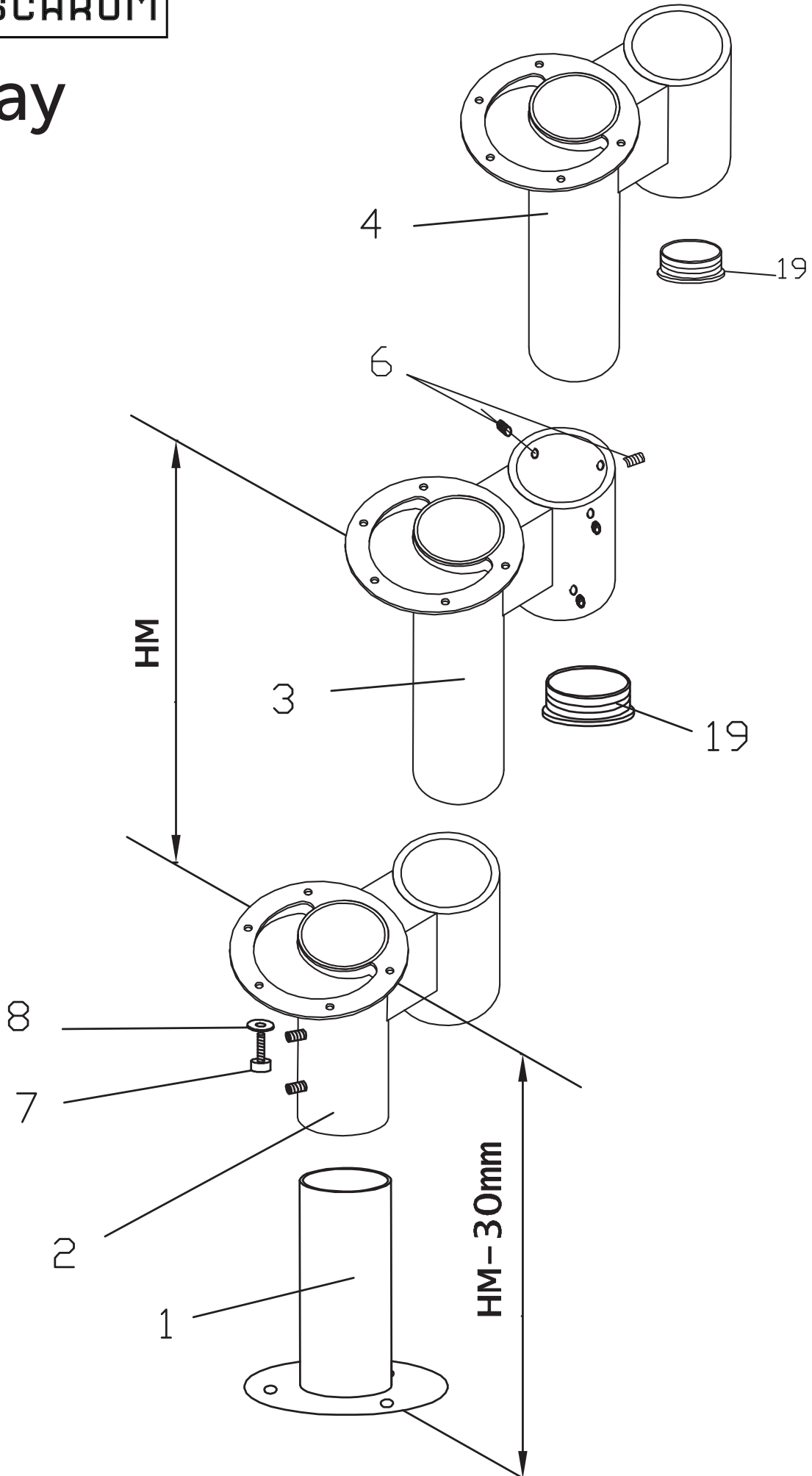
HM = height of steps = $2630 / 13 = 202\text{mm}$



Tokay



Tokay



Tokay

